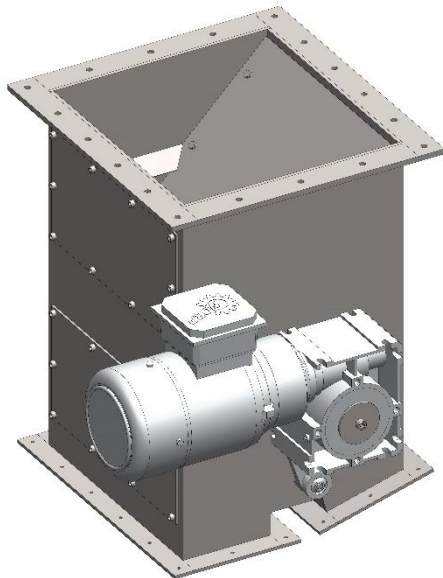


PRODUCT DATASHEET



MBZ 204x340/300 F	Stock number: 50061
-------------------	------------------------

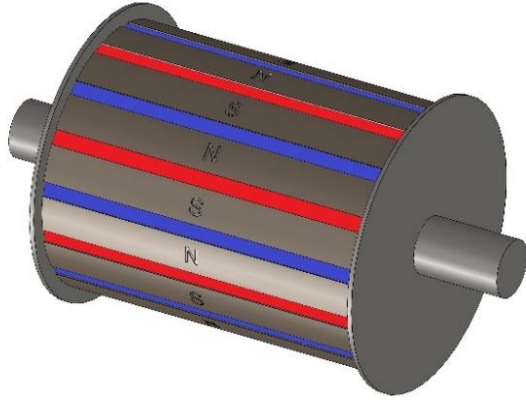


Product name:	Magnetic drum, covered type
Type:	MBZ
Material to be separated:	Dry mixtures characterized by good loose parameters
Drum dimensions:	Ø of the drum: 204 mm Drum length: 340 mm Magnetic length: 300 mm
Magnetic circuit type:	Standard
Design:	Single-level
Type of the magnets:	F – Ferrite (FMA-B)
Connections:	Input: flat welding flange, inner dimensions 360 x 340 mm Output1: flat welding flange, inner dimensions 360 x 135 mm Output2: flat welding flange, inner dimensions 360 x 121,5 mm Counter-flanges belong to the machine scope of supply
Case material:	Stainless steel DIN 1.4301, EN 10088, (X5CrNi 18-10), ČSN 17240, AISI 304, AKV 7
Drum material:	Stainless steel DIN 1.4301, EN 10088, (X5CrNi 18-10), ČSN 17240, AISI 304, AKV 7
Pitch area material:	Stainless steel DIN 1.4301, EN 10088, (X5CrNi 18-10), ČSN 17240, AISI 304, AKV 7
Coat magnetic induction:	1,350 Gs
Tear-off force:	4,6 N

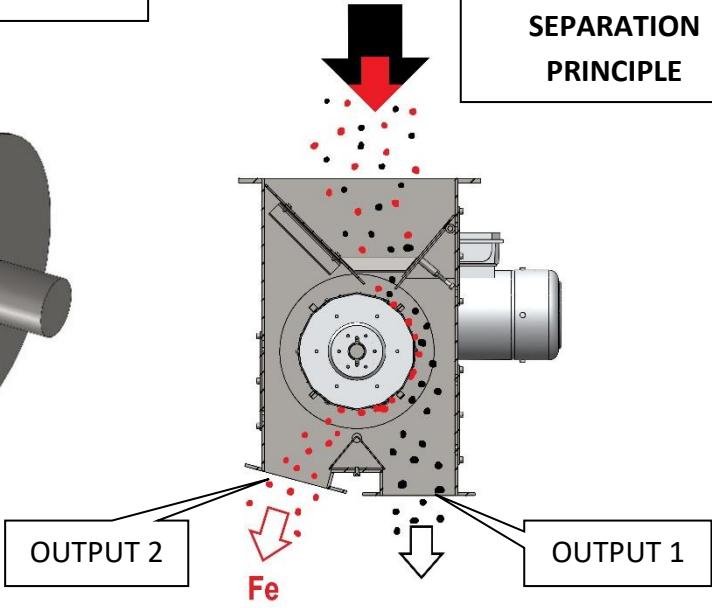
Temperature resistance of the magnets:	80 °C – maximum working temperature that can be acting onto the magnetic coat for a short time
Operating temperature of the machine:	45 °C – this is a permanently acting temperature in the area around the operating machine; control panel must be situated out of these premises
Cleaning:	Automatic
Case surface treatment:	Blasting using glass balls
Drum coat surface treatment:	Scotch-bright grinding
Sealing:	Simmering – NBR nitrile
Screw transmission with the motor:	<p>NORD SK 1SI50 D – IEC80 – 80 L/8-4 – with two rpm ´s levels</p> <p>Motor power: 0,37 // 0,55 kW</p> <p>Rpm ´s n1/n2: 680/1375 // 17/34,5 rev./min</p> <p>Output moment: 112 // 91 Nm</p> <p>Voltage: 230/400 V, 50 Hz</p> <p>Motor IP protection: IP 55</p>
Electrical installations:	<p>Included:</p> <p>Control panel is located out of the machine</p> <p>Connections to the machine:</p> <p>- connectors</p> <p>The distributor is ended with a terminal plate to connect the control voltage.</p> <p>External control option.</p> <p>Working temperature:</p> <p>- common working temperatures</p> <p>Parameters:</p> <p>Nominal voltage Un 400 V (3P+N)</p> <p>Frequency Fn: 50 Hz</p> <p>Current loading In: 10 A</p> <p>Total power: 600 W</p> <p>IP protection: IP65</p>
Total weight:	121 kg (16 kg is the control panel, including cabling)



MAGNETIC CIRCUIT TYPE – STANDARD



MAGNETIC SEPARATION PRINCIPLE



PITCH AREAS

