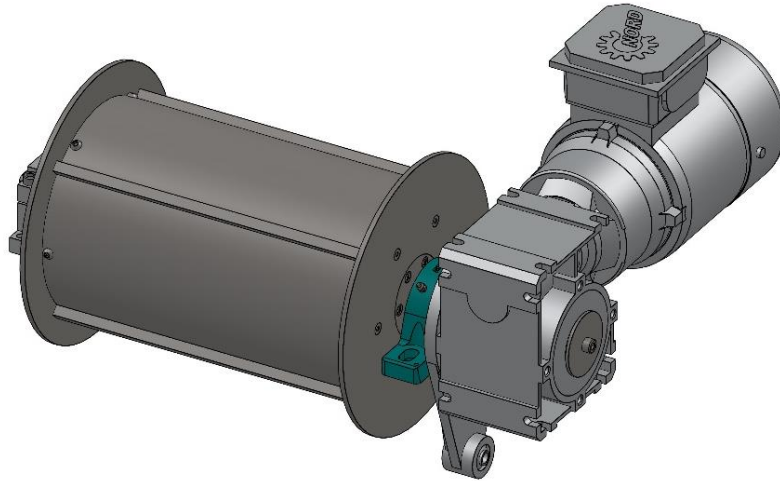


PRODUCT DATASHEET



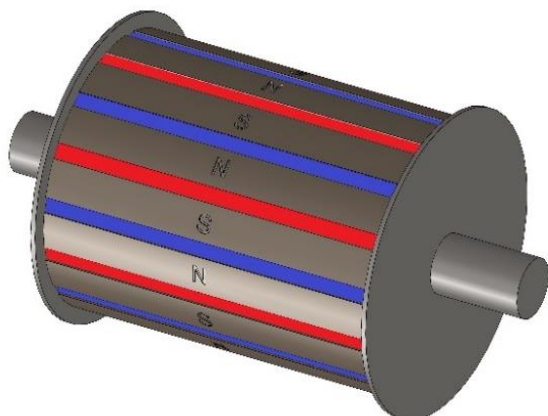
MB 204x340/300 F-MODEL 1	Stock number: 52291
---------------------------------	-------------------------------



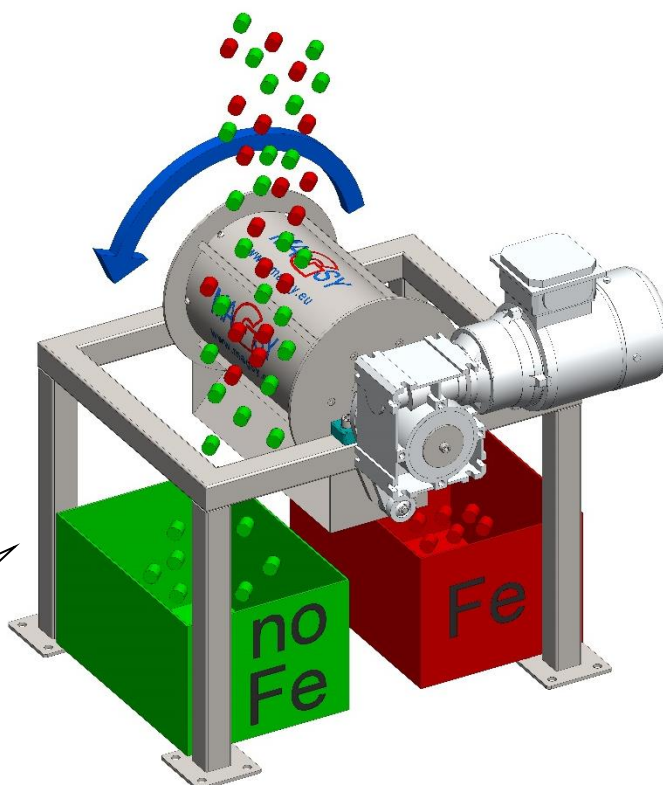
Product name:	Magnetic drum
Type:	MB
Material to be separated:	Dry mixtures characterized by good loose parameters
Drum dimensions:	Ø of the drum: 204 mm Drum length: 340 mm Magnetic length: 300 mm
Magnetic circuit type:	Standard
Type of the magnets:	F – ferrite (FMA-B)
Connections:	Clamping bracket (Dural) Bearing "cabin"
Drum material:	Stainless steel DIN 1.4301, EN 10088, (X5CrNi 18-10), ČSN 17240, AISI 304, AKV 7
Coat magnetic induction:	1,350 Gs
Tear-off force:	4,6 N
Temperature resistance of the magnets:	80 °C – maximum working temperature that can act onto the magnetic coat for a short time
Machine operating temperature:	45 °C – permanently acting temperature of the area around the working machine
Cleaning:	Automatic
Drum coat surface treatment:	Blasting using glass balls

Sealing:	Simmering – NBR nitrile
Screw transmission with the motor:	NORD SK 1SI50 D – IEC80 – 80 L/8-4 – with two rpm ´s levels Motor power: 0,37 // 0,55 kW n1/n2 rpm ´s: 680/1375 // 17/34,5 rev./min Output moment: 112 // 91 Nm Voltage: 230/400 V, 50 Hz IP protection of the motor: IP 55
Electrical installations:	Without electrical installations (the motor is ended with the terminal box, in order to connect the control voltage)
Total weight:	53 kg

MAGNETIC CIRCUIT TYPE – STANDARD



MAGNETIC SEPARATION PRINCIPLE



Neither the structure nor the collection receptacles belong to the scope of supply; these are examples of the magnetic drum installations

